

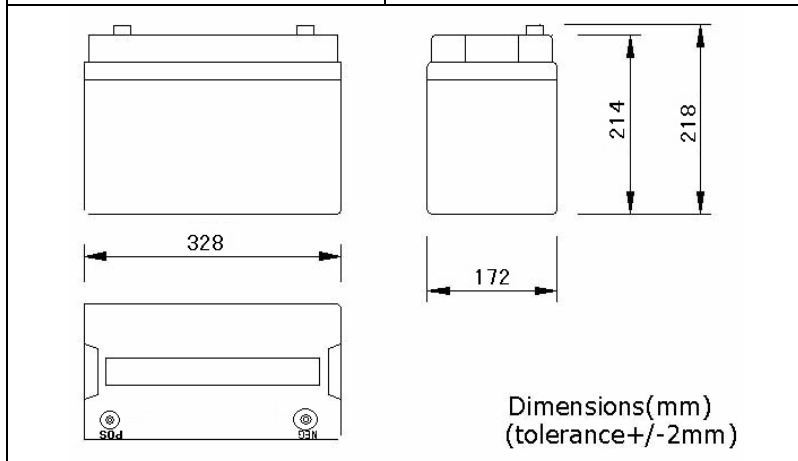
EnergiVm

CE  MH 28269

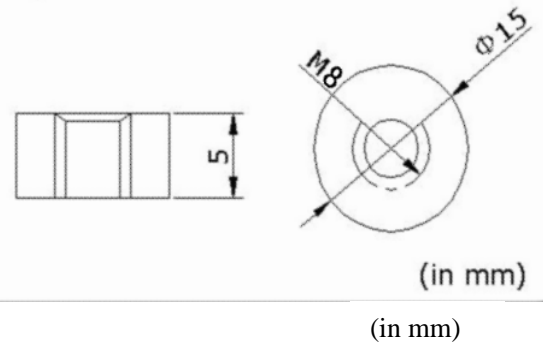
MVH121000(12V100AH)

PHYSICAL SPECIFICATION

Nominal Voltage Nominal Capacity (10HR)		12V 100Ah	
Dimension	Length	328±2mm	(12.9 inches)
	Width	172±2mm	(6.77 inches)
	Container Height	214±2mm	(8.42 inches)
	Total Height	218±2mm	(8.58 inches)
Weight		Approx. 31.7 Kg (69.8lbs)	
Standard Terminal		Bolt-and-nuts terminal Bolt Type: M8	



Bolt-and-nut terminal
Bolt Type:M8



ELECTRICAL SPECIFICATION

Characteristics		
Capacity	20 hour rate (5A) 10 hour rate (10A) 5 hour rate (17A) 3 hour rate (25A) 1hour rate (60A)	C20 (103Ah) C10 (100Ah) C5 (85Ah) C3 (75Ah) C1 (60Ah)
Capacity affected by temperature	40°C (104 °F) 25°C (77 °F) 0°C (32 °F)	102% 100% 85%
Self Discharge	3% of capacity declined per month at (25°C)	
Internal Resistance	Full charged battery (25°C,77 °F) 4mΩ	
Constant Voltage Charge	Cycle	Initial Charging Current less than 25A Voltage 14.1~14.4V at 25°C (77 °F) Temperature Coefficient -30mV/°C
	Standby	No limit on Initial Charging Current Voltage 13.5~13.8V at 25°C (77 °F) Temperature Coefficient -20mV/°C

Discharge curves @ 25°C (77 ° F)

